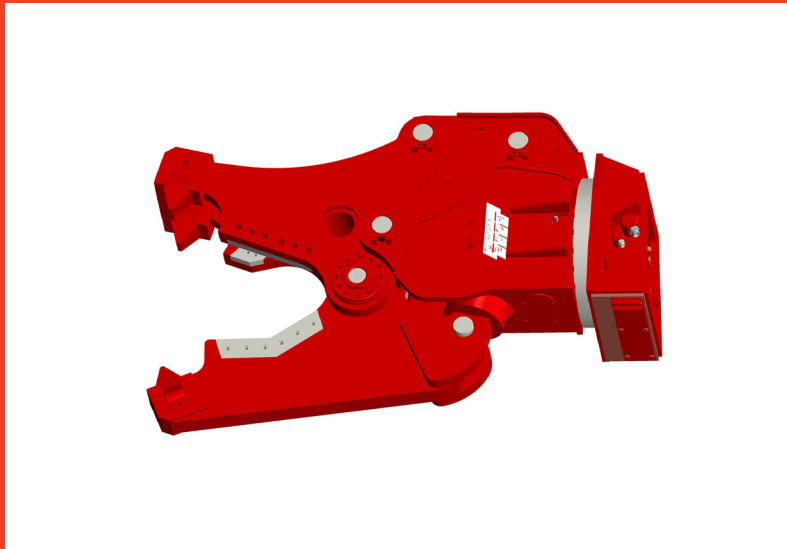


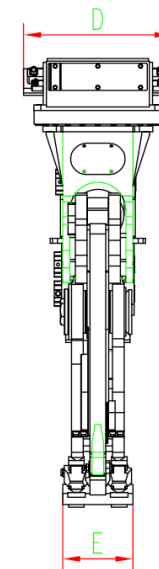
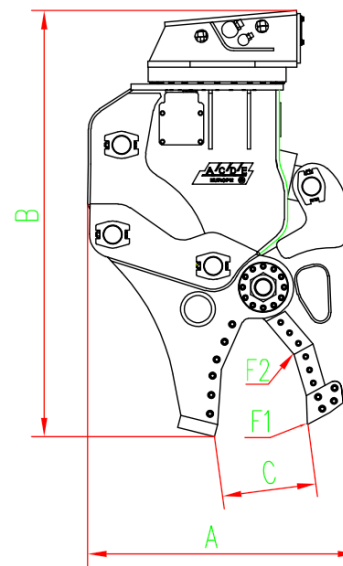
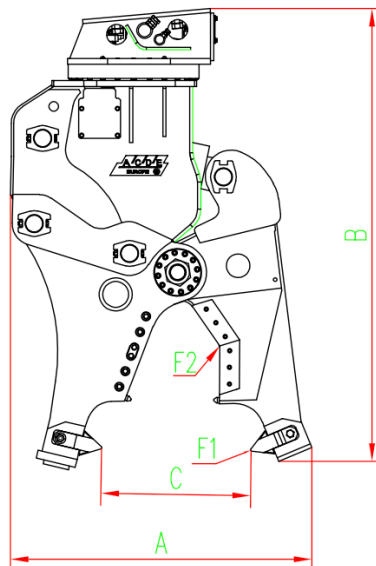
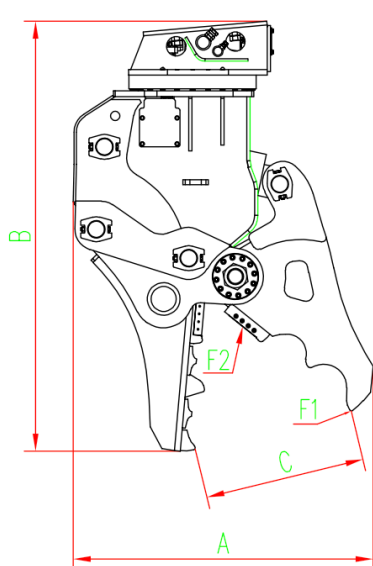
**A/C/D/E**  
**EUROPE®**  
 +41 62 58 80 164  
 info@acde-europe.com  
 www.acde-europe.com







**2024**  
**AT-SERIE**  
**Kombieschere**  
**Combi Shear**



**DA** : **EDA**  
 DEUTSCHER ABBRUCHVERBAND • EUROPEAN DEMOLITION ASSOCIATION





		<b>ATB-25</b>	<b>ATC-25</b>	<b>ATS-25</b>
<b>A</b>	mm	1550	1510	1280
<b>B</b>	mm	2220	2265	2050
<b>C</b>	mm	820	745	450
<b>D</b>	mm	765	765	765
<b>E</b>	mm	150	360	315
<b>F1</b>	kN	655	810	960
<b>F2</b>	kN	2650	1135	1560
	bar	160	160	160
	l/min/max	30	30	30
	bar	350	350	350
	l/min/max	250	250	250
	kg	2050	2490	2100
	t	20-30	20-30	20-30